

# ecosmart® *free energy from the sun*

## OUTSTANDING EFFICIENCY TO HELP REDUCE ENERGY BILLS.

If you're aiming to reduce your carbon footprint, choose an Ecosmart solar water heater. Ecosmart solar uses the sun's energy to heat water via solar panels. Comes with either an electric or gas booster ensuring hot water on cloudy days or in times of high demand.

Ecosmart solar will save you money on energy bills, providing an economical, sustainable hot water solution for years to come.

- Split system design provides flexible installation locations without the need for expensive roof reinforcement
- Available in electric or gas boosted models
- Multi-temperature sensors on a vitreous enamel tank configuration enable optimum solar gain while reducing the risk of overheating
- High performance collectors ensure efficient transfer of heat to water
- European manufactured circulating pump and smart system controller
- Efficient, polyurethane insulated storage tank
- Features durable Y class commercial grade enamel and a larger anode to increase tank life
- Supplies mains pressure hot water
- Eligible for Small-scale technology certificates
- 7-year tank, 5 year collector warranty, 1-year parts and labour\*



ELECTRIC BOOSTED



GAS BOOSTED

CAPACITY	ELECTRIC BOOST	GAS BOOST
250L	2-4	2-5
315L	3-5	2-6
400L	4-7	4-8

Adult icon can represent dishwasher or washing machine.

### DID YOU KNOW...

Dux solar water heaters are supplied with a genuine Reliance® brand Solar tempering valve to ensure maximum hot water delivery.



<b>electric boosted solar</b>			STC ZONE*			
	COLLECTORS		1	2	3	4
250L	D2M36F202	2	39	43	38	34
315L	D3M36F202	2	40	43	39	34
315L	D3M36F203	3	44	46	46	41
400L	D4M36F202	2	39	43	38	34
400L	D4M36F203	3	44	46	46	41

<b>gas boosted solar</b>			STC ZONE*			
	COLLECTORS		1	2	3	4
250L	D2F20226N	2	38	42	38	33
315L	D3F20226N	2	38	42	38	33
315L	D3F20326N	3	44	45	46	41
400L	D4F20226N	2	38	42	38	33
400L	D4F20326N	3	44	45	46	41

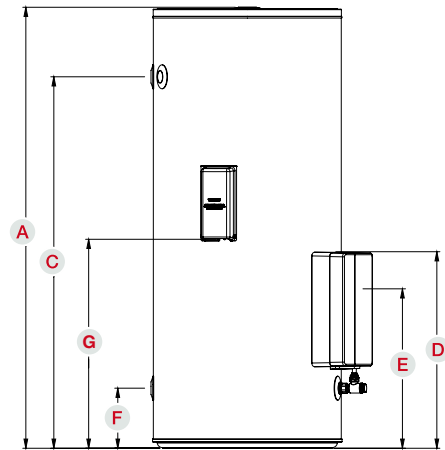
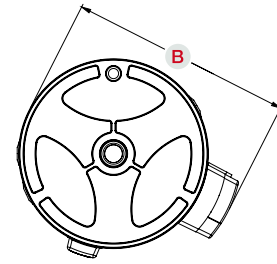
STC values are subject to change without notice and are correct at time of printing. STCs calculations are based on continuous tariff. Size figures are based on environmental averages which can effect the performance of solar and heat pump heaters. Adult icon can represent dishwasher or washing machine. Based on connection to continuous tariff.

## INVIGORATING HOT WATER IN ANY KIND OF WEATHER

# ECOSMART<sup>®</sup> BOOSTED SOLAR

TANK SPECIFICATIONS	250L	315L	400L
ELECTRIC BOOSTED MODEL	250DPM36	315DPM36	400DPM36
GAS BOOSTED MODEL	250DPO	315DPO	400DPO
Storage Capacity (L)	258	323	420
Element Boost Capacity (L) Electric only	120	146	230
Net Tank Weight Empty (kg)	72	92	116
Relief Valve Pressure (kPa)	1000	1000	1000
Max Inlet Pressure (kPa)	800	800	800

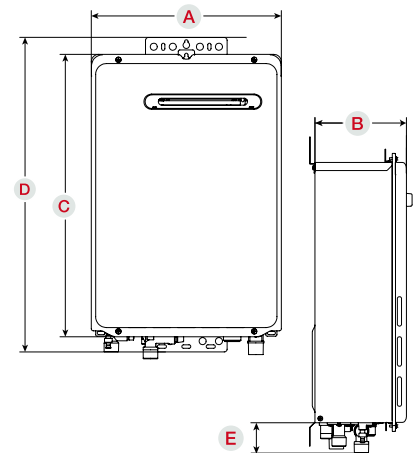
TANK DIMENSIONS (MM)	250L	315L	400L
A Tank Height	1440	1760	1700
B Tank Diameter	730	730	820
C Outlet Height	1210	1530	1445
D Solar Return Height	640	845	645
E Pump Outlet Height	520	520	545
F Inlet Height	195	195	220
G Electrical Entry Height (Electric only)	680	880	695



## GAS BOOSTER SPECIFICATIONS

BOOST SPECIFICATIONS	
Gas Continuous Flow	26L/min
Gas Consumption (MJ/Hr)	200
Gas Type	Natural / Propane
Cold Water Socket Size (mm)	RP $\frac{3}{4}$ "/20
Gas Pipe Inlet Size (mm)	RP $\frac{3}{4}$ "/20
Relief Valve Pressure (Kpa)	1000
Weight (kg)	22

DIMENSIONS (MM)	
A Width	350
B Depth	170
C Height - Unit	600
D Height - Including Brackets	655
Gas Connection Length (From Base)	49
E Cold Connection Length (From Base)	48
Hot Connection Length (From Base)	44



## SOLAR COLLECTORS

PANEL SPECIFICATIONS	FSA20
Total Area (m <sup>2</sup> )	2
Weight Without Water (kg)	35
Glass Thickness (mm)	3.2
Glass Material	Low iron tempered textured glass
Absorber Material	Black chrome, selective surface (aluminium plate)
Copper Rises	8

PANEL DIMENSIONS (MM)	
Panel Height	2000
Panel Width	1000
Panel Depth	95